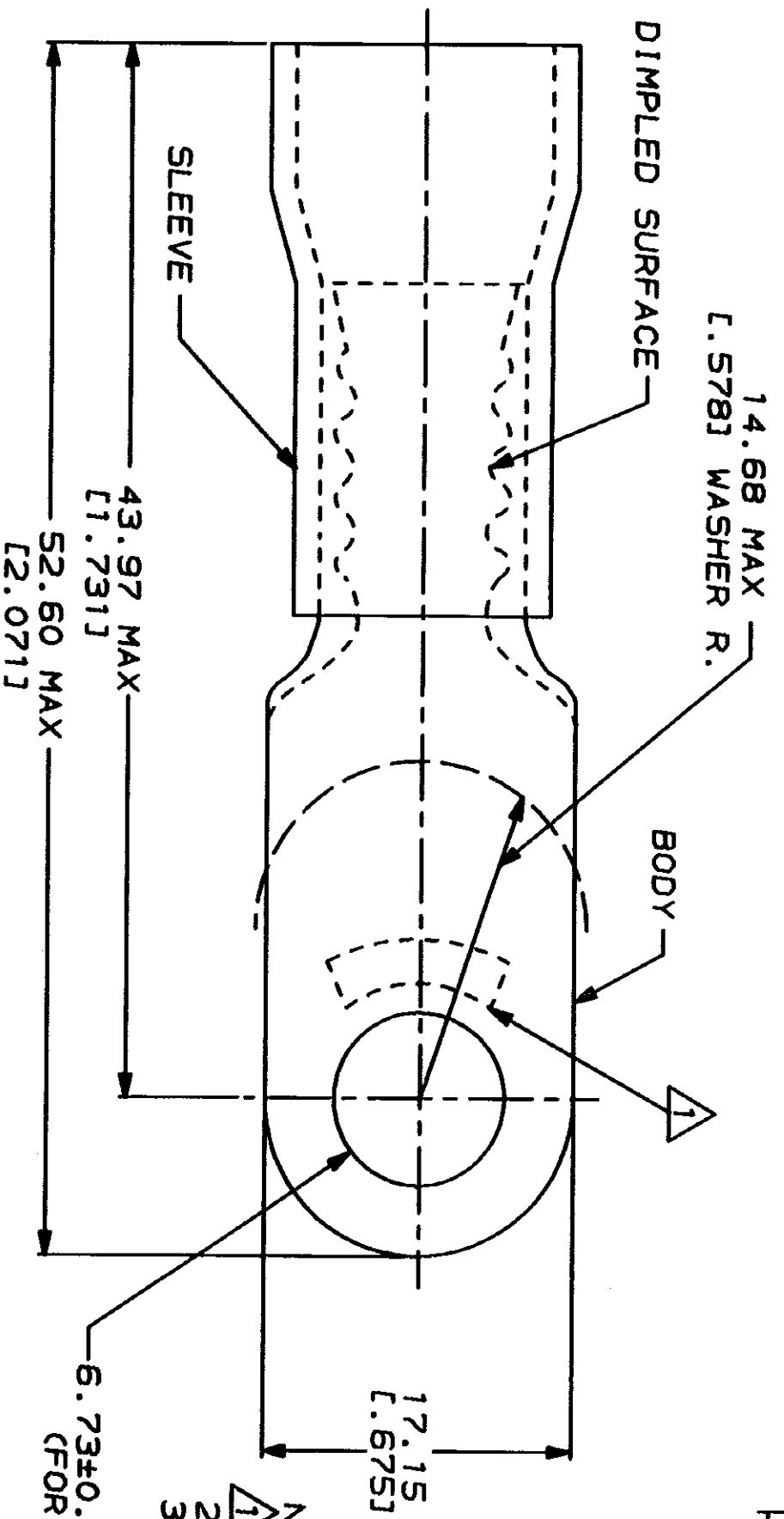


LOC	DIST	REV	DESCRIPTION	DATE	APPD
G	14	F	REV / 0720-0324-93	2/9/94	J ME

AMP WIRE RANGE	FILE E13288	LR7189 Certified
2 AWG STRANDED	2 AWG STRANDED	2 AWG STRANDED

**METRIC**  
 DIMENSIONS LISTED IN mm [ INCHES ]



- NOTE:
1. STAMP AMP 2\* LOCATE APPROX AS SHOWN
  2. TONGUE MATERIAL THK 1.45±0.08 [1.057±.003]
  3. SEE TABLE FOR WIRE INSULATION DIA MAX

AMP INCORPORATED  
 CUSTOMER SERVICE SYSTEMS

FOR ADDITIONAL PRODUCT INFORMATION OR COPIES OF DRAWINGS AND TECHNICAL DOCUMENTS	1-800-522-6752	PRODUCT INFORMATION CENTER
FOR APPLICATION	1-800-722-1111	TOOLING ASSISTANCE CENTER
FOR ORDER ENTRY	1-800-526-5142	

MAX RECOMMENDED OPERATING TEMPERATURE:	90°C
VOLTAGE RATING:	500 V MAX
CIRCULAR MIL AREA:	26.85-42.41mm² [52,600-83,700] STRANDED

DO NOT SCALE PRINT. UNLESS SPECIFIED	
TOLERANCES ON:	1 FRACTION ± 0.25(1.000)
2 DEC ± .005	
3 DEC ± .002	
4 DEC ± .001	

MATERIAL:	COPPER PER ASTM B-152 PVC, COLOR: RED
FINISH:	TIN PLATE PER MIL-T-10727
DR	9-23-83
CHK	9-23-83
APPD	9-23-83
INSULATION	WIRE DIA
QTY	50
PACKAGE TYPE	LOOSE PC
PART NO	52267

OBSOLETE



AMP Incorporated  
 Harrisburg, PA 17105-3608

TERMINAL, RING TONGUE,  
 PLASTI-GRIP, WIRE SIZE: 2 AWG

SIZE	B	CAGE CODE	00779	DRAWING NO	52267
SCALE	NTS				